

# METAL QUARTZ

HIGH SECURITY

Doors, gates & windows | Security | Metalworks | Projects | Products | Service



CONCEPTION & MANUFACTURING



PROJECT MANAGEMENT



CERTIFICATIONS



BULLET-PROOF



BURGLARY RESISTANCE



FIRE RESISTANCE



PRISON SECURITY

**KOKEMA**oy

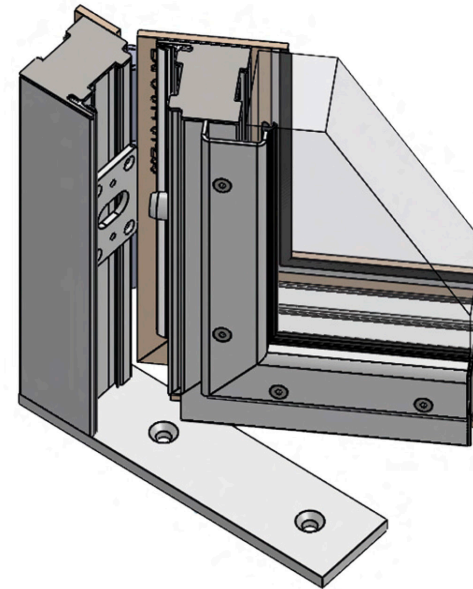
Kakkulaistentie 5, 32800 Kokemäki | +358 10 326 3840 | [info@kokema.fi](mailto:info@kokema.fi) | [www.kokema.fi](http://www.kokema.fi)

rullari®

METAL QUARTZ  
High Security Joinery

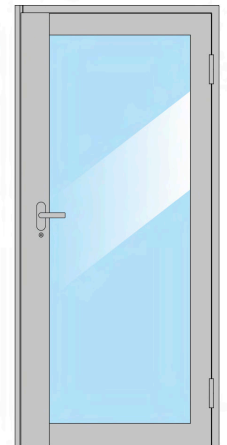
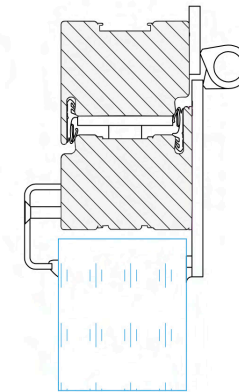
ICOMET  
Group

A UNIQUE CONSTRUCTION BASED ON PROFILES



Characteristics :

- Steel joinery with or without thermal insulation
- Traceability (ISO 9001)
- Sanding with metallization (exterior) and powder coating in RAL color or stainless steel
- Accessories and custom options
- Security performance feature tested and certified
- CE certification



Developed by Metal Quartz based on Forster profiles.

Drawing of a RC4 + FB6 glazed door

## THE COMMITMENT OF METAL QUARTZ

HIGH SECURITY JOINERY WITH SLEEK DESIGN

1

PERFORMANCE

The tests on each product guarantee our customers the level of performance of the proposed solution. The range of high security joinery covers performance burglary resistance, bullet-proof, fire resistance and complies with Belgian Federal Justice Department standards.

2

QUALITY

The "quality" requirements in the production workshops go well beyond the statutory obligations: for instance, when we talk about a successful test, that means all components of the solution are subjected to testing, even the glazing, which is itself already compliant.

3

DESIGN & CERTIFIED

Metal Quartz joineries combine design with certification. They are tested in laboratories up to their highest level of performance, while preserving fine steel profiles that have an understated and sleek design.

4

FINISHING

All doors, frames, counters or booths are manufactured «made-to-measure». Our products are available with or without glazing, steel or stainless (for some performances) or with a RAL paint finish.